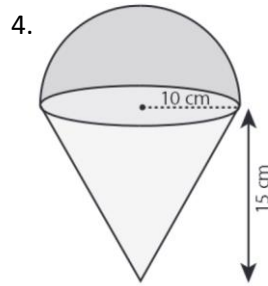
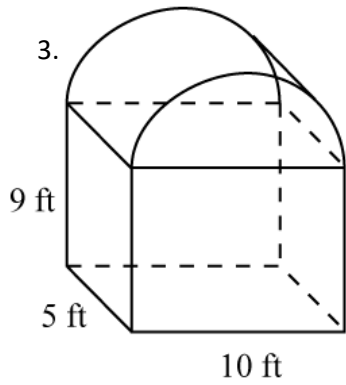
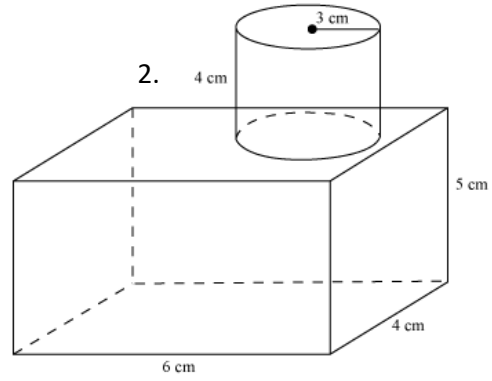
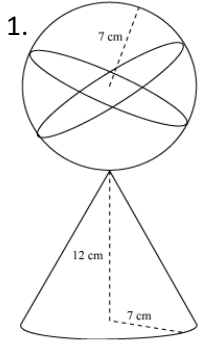
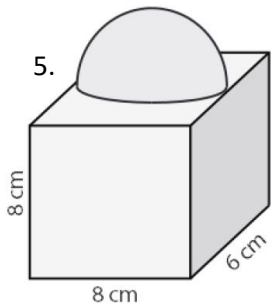


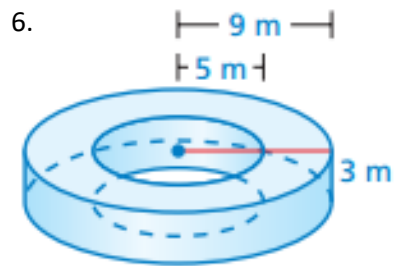
Find the composite volume.



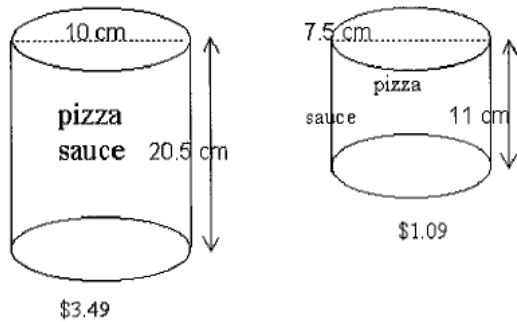
Volume = _____



Volume = _____



4. a. If Blaine wants to know which tomato sauce he should buy for the best price per ounce. Which one is cheaper per cm^3 ?



b. If Blaine is going to cover a 12 inch pizza with sauce which one will cover the whole pizza if he normally covers it with 2 cm high with sauce? Explain.

14. KICKBOARD A foam kickboard used for swimming has two identical hand grips.

- a. Find the volume of the kickboard.
- b. One cubic inch of foam weighs about 0.007 pound. How much does the kickboard weigh?

